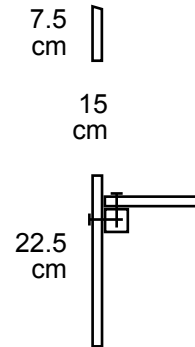
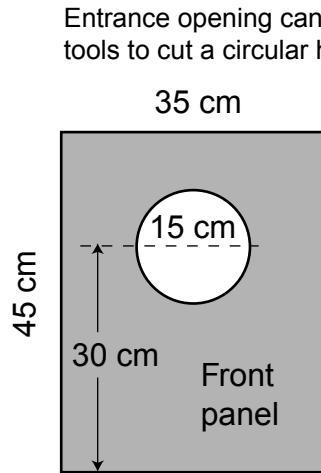
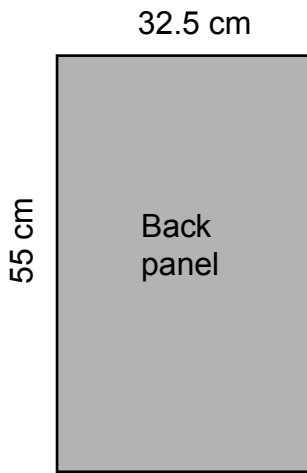
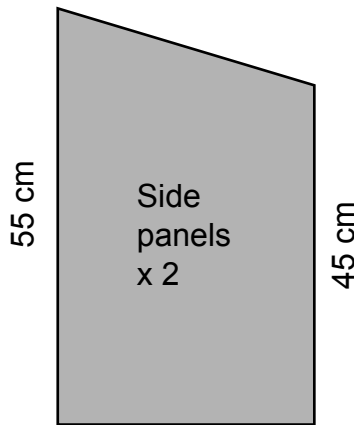
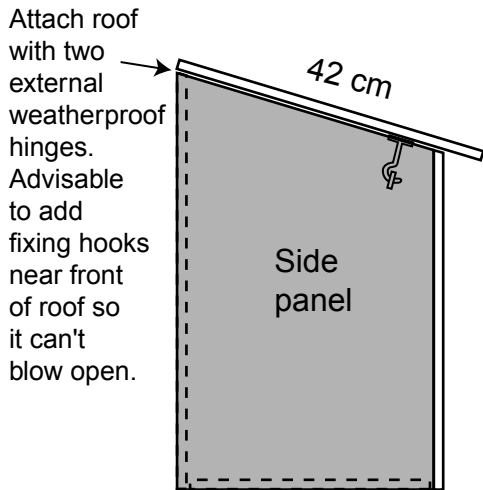


"Dutch" letterbox for Tawny Owls. Plans based on a box made by A. van den Burg after design published in J.H. Mooij, *De Bosuil*, Utrecht: Kosmos, 1983.

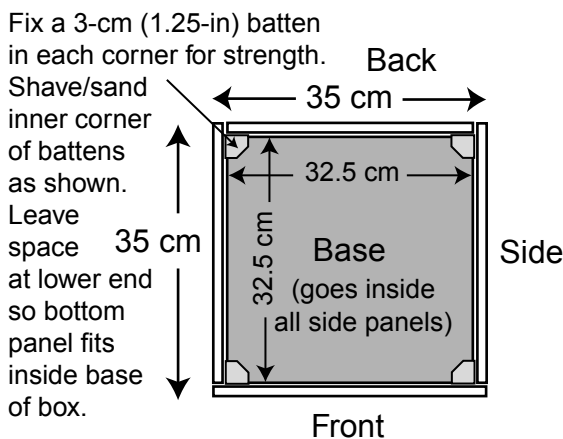
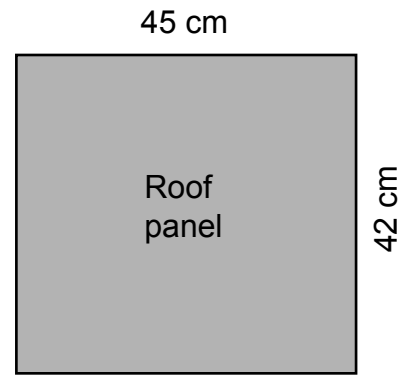
Dimensions based on 1.25 cm (half-inch) panels. Construct from timber lengths or exterior plywood. Use slightly thicker timber for back attachment pieces. Assemble using screws and (preferably) a waterproof glue. Measure, cut and fit as you go – don't cut all panels before starting assembly. Start from the base and work up. If using rough timber or plywood, sand interior lightly before applying two coats of thinned varnish. Stain and/or seal exterior to taste. Dimensions used here give internal diagonal of 46 cm (18 in) – plenty.



Side view of front panel showing external ledge: Ledge is 35 cm x 13 cm. Attach so top surface is 2 cm below entrance using 3 cm batten. (Ledge is a safety feature for when chicks become active outside the box.)



Roof panel extends 5 cm beyond sides and front of box



Base: Drill 0.75 cm drainage holes on regular spacing about 4 cm apart. **Back, side and front panels must be assembled using relative positions shown here. Base goes inside all adjoining panels.**

See photo of finished box (without ledge) on www.godsownclay.com/tawnyowlnestboxc.html and other general guidance on same page

